

Support Unit FF (Supported-side round type)

Order Coding	Model No.	Surface treatment	Applicable ballscrew accuracy grade	Bearing
FF06_C7	FF06	Black Oxide	C7	606ZZ
FF06_C3			C3 C5	606ZZ
FF06_C7N		Electroless Nickel Plating	C7	606VV
FF06_C3N			C3 C5	606VV
FF10_C7	FF10	Black Oxide	C7	608ZZ
FF10_C3			C3 C5	608ZZ
FF10_C7N		Electroless Nickel Plating	C7	608DD
FF10_C3N			C3 C5	608DD
FF12_C7	FF12	Black Oxide	C7	6000ZZ
FF12_C3			C3 C5	6000ZZ
FF12_C7N		Electroless Nickel Plating	C7	6000DDU
FF12_C3N			C3 C5	6000DDU
FF15_C7	FF15	Black Oxide	C7	6002ZZ
FF15_C3			C3 C5	6002ZZ
FF15_C7N		Electroless Nickel Plating	C7	6002DDU
FF15_C3N			C3 C5	6002DDU
FF17_C7	FF17	Black Oxide	C7	6203ZZ
FF17_C3			C3 C5	6203ZZ
FF17_C7N		Electroless Nickel Plating	C7	6203DDU
FF17_C3N			C3 C5	6203DDU
FF20_C7	FF20	Black Oxide	C7	6204ZZ
FF20_C3			C3 C5	6204ZZ
FF20_C7N		Electroless Nickel Plating	C7	6204DDU
FF20_C3N			C3 C5	6204DDU
FF25_C7	FF25	Black Oxide	C7	6205ZZ
FF25_C3			C3 C5	6205ZZ
FF25_C7N		Electroless Nickel Plating	C7	6205DDU
FF25_C3N			C3 C5	6205DDU
FF30_C7	FF30	Black Oxide	C7	6206ZZ
FF30_C3			C3 C5	6206ZZ
FF30_C7N		Electroless Nickel Plating	C7	6206DDU
FF30_C3N			C3 C5	6206DDU



Black Oxide (Application : General case)



Electroless Nickel Plating (Application : Clean room)

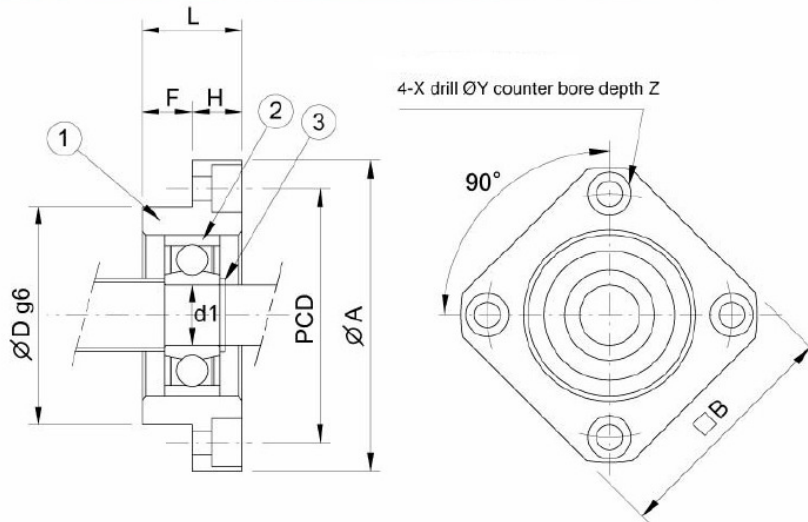
- (Note)
1. (It is used double pressed steel cages for Black Oxide type support units .)
 2. (It is used double plastic cages for Electroless Nickel Plating type support units .)
 3. (All of bearings use Japanese brand bearings.)

Support Unit FF
(Supported-side round type)



Park No.	Part name	Qty
1	Housing	1
2	Bearing	1 set
3	Snap ring	1

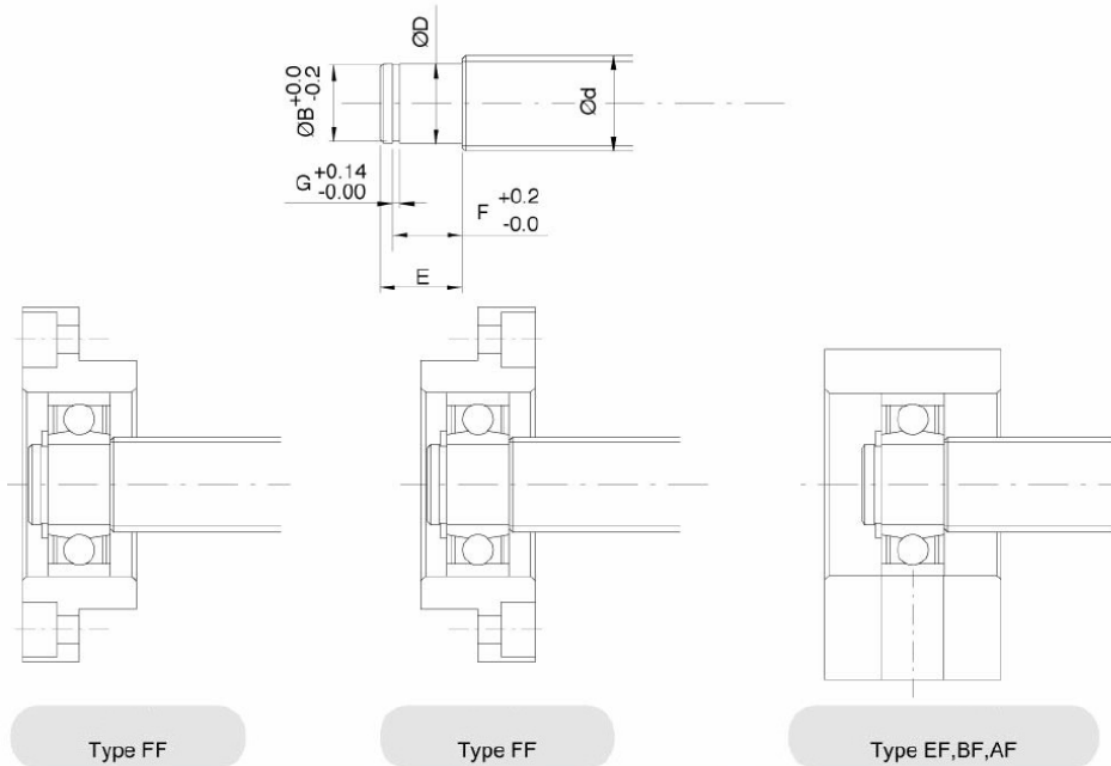
FF



Unit : mm

Model No.	Shaft diameter d1	L	H	F	Dg6	A	PCD	B	X	Y	Z	Bearing	Snap ring
FF06	6	10	6	4	22 -0.007 -0.02	36	28	28	3.4	6.5	4	606ZZ	S 06
FF10	8	12	7	5	28 -0.007 -0.02	43	35	35	3.4	6.5	4	608ZZ	S 08
FF12	10	15	7	8	34 -0.009 -0.025	52	42	42	4.5	8	4	6000ZZ	S 10
FF15	15	17	9	8	40 -0.009 -0.025	63	50	52	5.5	9.5	5.5	6002ZZ	S 15
FF17	17	20	11	9	50 -0.009 -0.025	77	62	61	6.6	11	6.5	6203ZZ	S17
FF20	20	20	11	9	57 -0.010 -0.029	85	70	68	6.6	11	6.5	6204ZZ	S 20
FF25	25	24	14	10	63 -0.010 -0.029	98	80	79	9	14	8.5	6205ZZ	S 25
FF30	30	27	18	9	75 -0.010 -0.029	117	95	93	11	17	11	6206ZZ	S 30

FF,EF,BF,AF
Recommended shaft end shape(Supported-side)
for Support Units types FF,EF,BF,AF



Support unit model No.				Ballscrew shaft OD	Shaft support portion OD					
Type FF	Type EF	Type BF	Type AF	d	D	E	B	F	G	
FF06	EF06	-	-	8	6 -0.005 -0.012	9	5.7	6.8	0.8	
-	EF08	-	-	10	6 -0.005 -0.012	9	5.7	6.8	0.8	
FF10	EF10	BF10	AF10	12/14/15	8 -0.005 -0.012	10	7.6	7.9	0.9	
FF12	EF12	BF12	AF12	14/15/16	10 -0.005 -0.012	11	9.6	9.15	1.15	
FF15	EF15	BF15	AF15	18/20	15 -0.005 -0.014	13	14.3	10.15	1.15	
FF17	-	BF17	-	20/25	17 -0.005 -0.014	16	16.2	13.15	1.15	
FF20	EF20	Note(BF20)	AF20	25/28/30	20 -0.005 -0.014	19(16)	19	15.35(13.35)	1.35	
FF25	-	BF25	-	30/32/36	25 -0.005 -0.014	20	23.9	16.35	1.35	
FF30	-	BF30	-	36/40	30 -0.005 -0.015	21	28.6	17.75	1.75	
-	-	BF35	-	40/45	35 -0.005 -0.015	22	33	18.75	1.75	
-	-	BF40	-	50	40 -0.005 -0.015	23	38	19.95	1.95	