

## Support Unit EK (fixed-side rectangular type)

Order Coding	Model No.	Surface treatment	Applicable ballscrew accuracy grade	Bearing
EK05_C7	EK05	Black Oxide	C7	605
EK05_C7N		Electroless Nickel Plating	C7	605
EK06_C7	EK06	Black Oxide	C7	606
EK06_C5			C5	706A P0
EK06_C3			C3	706A P5
EK06_C7N		Electroless Nickel Plating	C7	606
EK06_C5N			C5	706A P0
EK06_C3N			C3	706A P5
EK08_C7			EK08	Black Oxide
EK08_C5	C5	708A P0		
EK08_C3	C3	708A P5		
EK08_C7N	Electroless Nickel Plating	C7		608
EK08_C5N		C5		708A P0
EK08_C3N		C3		708A P5
EK10_C7	EK10	Black Oxide	C7	7000A P0
EK10_C5			C5	
EK10_C3			C3	7000A P5
EK10_C7N		Electroless Nickel Plating	C7	7000A P0
EK10_C5N			C5	
EK10_C3N			C3	7000A P5
EK12_C7	EK12	Black Oxide	C7	7001A P0
EK12_C5			C5	
EK12_C3			C3	7001A P5
EK12_C7N		Electroless Nickel Plating	C7	7001A P0
EK12_C5N			C5	
EK12_C3N			C3	7001A P5



Black Oxide (Application : General case)



Electroless Nickel Plating (Application : Clean room)

(Note) :

1. EK05-EK08  
(Using deep groove ball bearings for EK05 to EK08 C7 types Support Units ,  
Which only be applied to light load , and Max. axial clearance is around 0.03mm.)
2. EK10-EK20  
(Using angular contact ball bearings without preload for EK10 to EK20 C7 types Support Units , and Max. axial clearance is 0.018mm.)
3.  
(Bearings make Preload for C5 type support units , and Axial clearance is 0 mm..)
4.  
(All of bearings use Japanese brand bearings.)

## Support Unit EK (fixed-side rectangular type)

Order Coding	Model No.	Surface treatment	Applicable ballscrew accuracy grade	Bearing
EK15_C7	EK15	Black Oxide	C7	7002A P0
EK15_C5			C5	
EK15_C3			C3	7002A P5
EK15_C7N		Electroless Nickel Plating	C7	7002A P0
EK15_C5N			C5	
EK15_C3N			C3	7002A P5
EK20_C7	EK20	Black Oxide	C7	7204A P0
EK20B_C7			C7	7204B P0
EK20_C5			C5	7204A P0
EK20B_C5			C5	7204B P0
EK20_C3			C3	7204A P5
EK20_C7N			Electroless Nickel Plating	C7
EK20B_C7N		C7		7204B P0
EK20_C5N		C5		7204A P0
EK20B_C5N		C5		7204B P0
EK20_C3N		C3		7204A P5



Black Oxide (Application : General case)



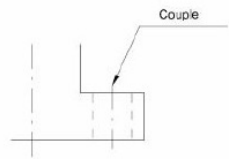
Electroless Nickel Plating (Application : Clean room)

(Note) :

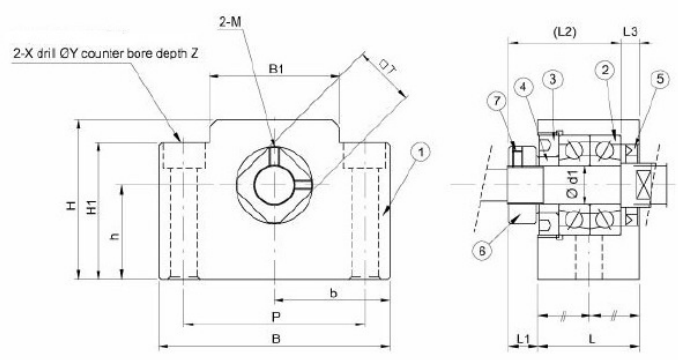
1. (Using angular contact ball bearings without preload for C7 types Support Units , and Max. axial clearance is 0.018mm.)
2. (Bearings make Preload for C5 type support units , and Axial clearance is 0 mm..)
3. (All of bearings use Japanese brand bearings.)

**Support Unit EK**  
(fixed-side rectangular type)

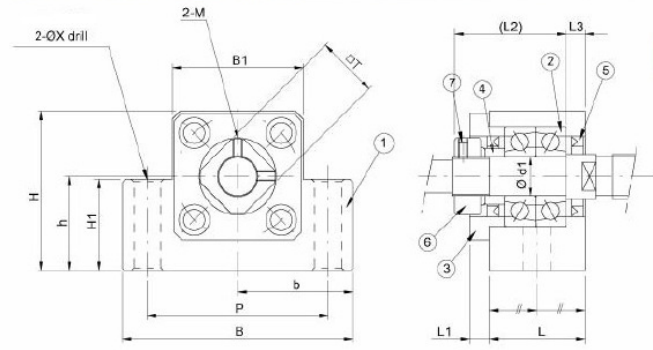
**EK05**



**EK06, EK08**



**EK10~EK20**

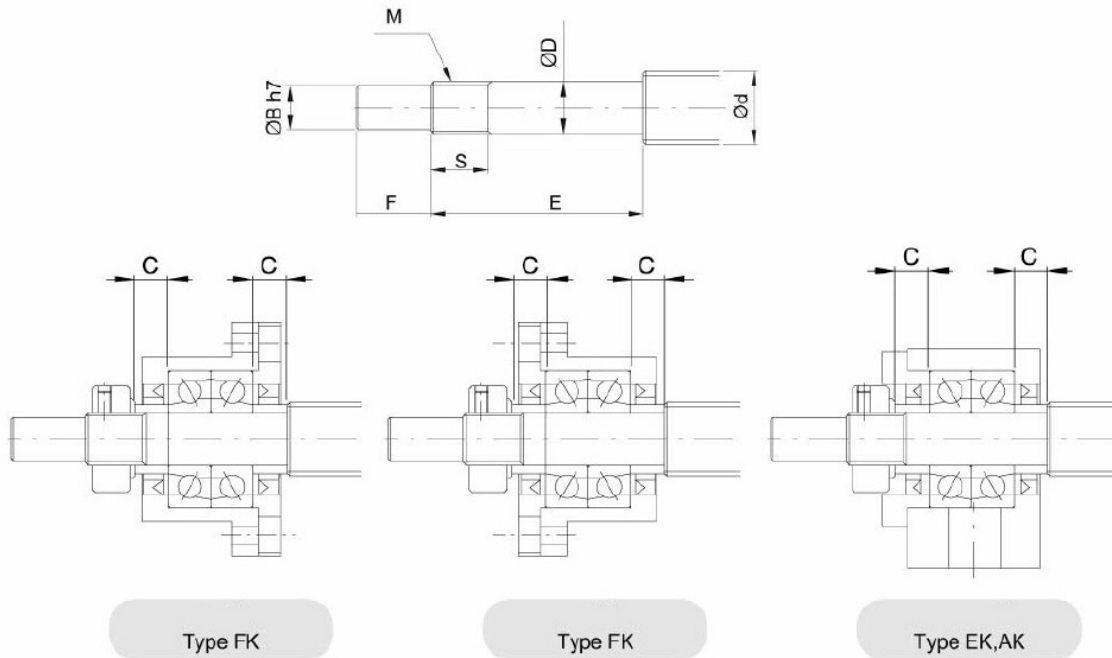


Part No.	Part name	Qty
1	Housing	1
2	Bearing	1 set
3	Holding lid	1
4	Collar	2
5	Seal	1 (2)
6	Lock nut	1
7	Hexagon socket-head Setscrew(with set piece)	2

Unit : mm

Model No.	Shaft diameter d1	L	L1	L2	L3	B	H	b ±0.02	h ±0.02	B1	H1	P	X	Y	Z	M	T
EK05	5	16.5	5.5	18.5	3.5	36	21	18	11	20	8	28	4.5	-	-	M3	11
EK06	6	20	5.5	22	3.5	42	25	21	13	18	20	30	5.5	9.5	11	M3	12
EK08	8	23	7	26	4	52	32	26	17	25	26	38	6.6	11	12	M3	14
EK10	10	24	6	29.5	6	70	43	35	25	36	24	52	9	-	-	M3	16
EK12	12	24	6	29.5	6	70	43	35	25	36	24	52	9	-	-	M4	19
EK15	15	25	6	36	5	80	49	40	30	41	25	60	11	-	-	M4	22
EK20	20	42	10	50	10	95	58	47.5	30	56	25	75	11	-	-	M4	30

**FK,EK,AK**  
**Recommended shaft end shape( Fixed-side)**  
**for Support Units types FK,EK,AK**



Unit : mm

Support unit model No.			Ballscrew shaft OD	Shaft support portion OD			Metric screw thread			Length of Sleeve	
Type FK	Type EK	Type AK	d	D		B	E	F	M	S	C
FK05	EK05	-	8	5	-0.005 -0.012	4	25	6	M5×0.5	7	3.5
FK06	EK06	-	8	6	-0.005 -0.012	4	28	8	M6×0.75	8	5
FK08	EK08	-	10/12	8	-0.005 -0.012	6	32	9	M8×1	10	5.5
FK10	EK10	AK10	12/14/15	10	-0.005 -0.012	8	36	15	M10×1	11	5.5
FK12	EK12	AK12	14/15/16	12	-0.005 -0.012	10	36	15	M12×1	11	5.5
FK15	EK15	AK15	18/20	15	-0.005 -0.014	12	47	20	M15×1	13	10
FK17	-	-	20/25	17	-0.005 -0.014	15	58	23	M17×1	15	10
FK20	EK20	AK20	25/28/30	20	-0.005 -0.014	17	62	25	M20×1	17	11
FK25	-	-	30/32/36	25	-0.005 -0.014	20	76	30	M25×1.5	20	15
FK30	-	-	36/40	30	-0.005 -0.015	25	72	38	M30×1.5	25	9

## Reference of Axial load of fixed-side type support units

Model No.		Bearing	Static load (Kgf)	Allowable Axial load (Kgf)	Limiting RPM (RPM)
FK06	EK06	706	93	74	
FK08	EK08	708	129	103	
BK10	AK10	7000A	239	195	16800
FK10	EK10				
BK12	AK12	7001A	276	217	15400
FK12	EK12				
BK15	AK15	7002A	321	240	13300
FK15	EK15				
BK17	FK17	7203A	556	413	11200
		7203B	523	490	7700
BK20		7004A	622	428	10500
FK20	AK20	7204A	770	587	9100
	EK20	7204B	710	691	6650
BK25	FK25	7205A	964	709	8400
		7205B	881	820	5950
BK30	FK30	7206A	1388	939	7000
		7206B	1268	1082	4970
BK35		7207B	1714	1466	4200
BK40		7208B	2145	1834	3710