

Support Unit EF (Supported-side rectangular type)

Order Coding	Model No.	Surface treatment	Applicable ballscrew accuracy grade	Bearing
EF06_C7	EF06	Black Oxide	C7	606ZZ
EF06_C3			C3 C5	606ZZ
EF06_C7N		Electroless Nickel Plating	C7	606VV
EF06_C3N			C3 C5	606VV
EF08_C7	EF08	Black Oxide	C7	606ZZ
EF08_C3			C3 C5	606ZZ
EF08_C7N		Electroless Nickel Plating	C7	606VV
EF08_C3N			C3 C5	606VV
EF10_C7	EF10	Black Oxide	C7	608ZZ
EF10_C3			C3 C5	608ZZ
EF10_C7N		Electroless Nickel Plating	C7	608DD
EF10_C3N			C3 C5	608DD
EF12_C7	EF12	Black Oxide	C7	6000ZZ
EF12_C3			C3 C5	6000ZZ
EF12_C7N		Electroless Nickel Plating	C7	6000DDU
EF12_C3N			C3 C5	6000DDU
EF15_C7	EF15	Black Oxide	C7	6002ZZ
EF15_C3			C3 C5	6002ZZ
EF15_C7N		Electroless Nickel Plating	C7	6002DDU
EF15_C3N			C3 C5	6002DDU
EF20_C7	EF20	Black Oxide	C7	6204ZZ
EF20_C3			C3 C5	6204ZZ
EF20_C7N		Electroless Nickel Plating	C7	6204DDU
EF20_C3N			C3 C5	6204DDU



Black Oxide (Application : General case)



Electroless Nickel Plating (Application : Clean room)

(Note)

1. (It is used double pressed steel cages for Black Oxide type support units .)
2. (It is used double plastic cages for Electroless Nickel Plating type support units .)
3. (All of bearings use Japanese brand bearings.)

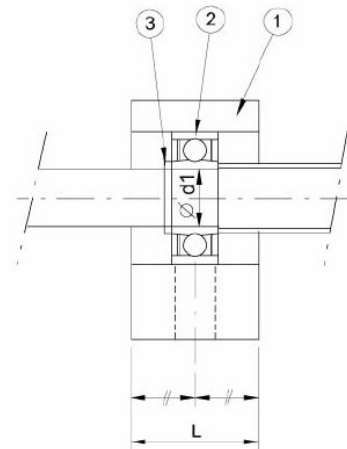
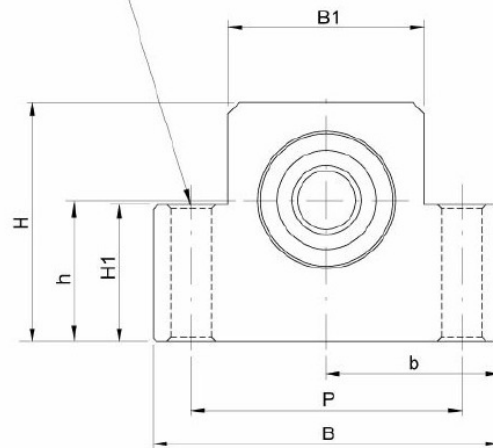


Support Unit EF
(supported-side rectangular type)

Part No.	Part name	Qty
1	Housing	1
2	Bearing	1 set
3	Snap ring	1

EF

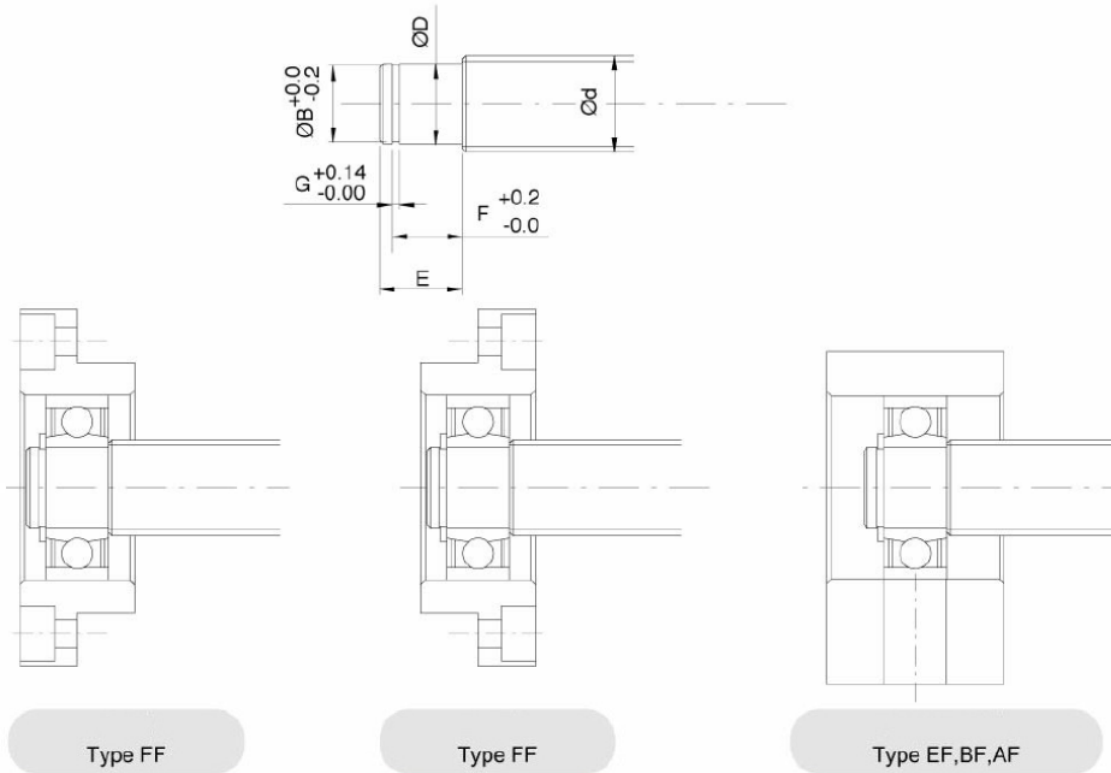
2-X drill ØY counter bore depth Z



Unit : mm

Model No.	Shaft diameter d1	L	B	H	b		B1	H1	P	X	Y	Z	Bearing	Snap ring
					±0.02	±0.02								
EF06	6	12	42	25	21	13	18	20	30	5.5	9.5	11	606ZZ	S 06
EF08	6	14	52	32	26	17	25	26	38	6.6	11	12	606ZZ	S 06
EF10	8	20	70	43	35	25	36	24	52	9	-	-	608ZZ	S 08
EF12	10	20	70	43	35	25	36	24	52	9	-	-	6000ZZ	S 10
EF15	15	20	80	49	40	30	41	25	60	9	-	-	6002ZZ	S 15
EF20	20	26	95	58	47.5	30	56	25	75	11	-	-	6204ZZ	S 20

FF,EF,BF,AF
Recommended shaft end shape(Supported-side)
for Support Units types FF,EF,BF,AF



Support unit model No.				Ballscrew shaft OD	Shaft support portion OD					
Type FF	Type EF	Type BF	Type AF	d	D	E	B	F	G	
FF06	EF06	-	-	8	6 -0.005 -0.012	9	5.7	6.8	0.8	
-	EF08	-	-	10	6 -0.005 -0.012	9	5.7	6.8	0.8	
FF10	EF10	BF10	AF10	12/14/15	8 -0.005 -0.012	10	7.6	7.9	0.9	
FF12	EF12	BF12	AF12	14/15/16	10 -0.005 -0.012	11	9.6	9.15	1.15	
FF15	EF15	BF15	AF15	18/20	15 -0.005 -0.014	13	14.3	10.15	1.15	
FF17	-	BF17	-	20/25	17 -0.005 -0.014	16	16.2	13.15	1.15	
FF20	EF20	Note(BF20)	AF20	25/28/30	20 -0.005 -0.014	19(16)	19	15.35(13.35)	1.35	
FF25	-	BF25	-	30/32/36	25 -0.005 -0.014	20	23.9	16.35	1.35	
FF30	-	BF30	-	36/40	30 -0.005 -0.015	21	28.6	17.75	1.75	
-	-	BF35	-	40/45	35 -0.005 -0.015	22	33	18.75	1.75	
-	-	BF40	-	50	40 -0.005 -0.015	23	38	19.95	1.95	