

Support Unit AF (Supported-side rectangular type)

Order Coding	Model No.	Surface treatment	Applicable ball screw accuracy grade	Bearing		
AF10_C7	AF10	Black Oxide	C7	608ZZ		
AF10_C3			C3 C5	608ZZ		
AF10_C7N		Electroless Nickel Plating	C7	608DD		
AF10_C3N			C3 C5	608DD		
AF12_C7	AF12	Black Oxide	C7	6000ZZ		
AF12_C3			C3 C5	6000ZZ		
AF12_C7N		Electroless Nickel Plating	C7	6000DDU		
AF12_C3N			C3 C5	6000DDU		
AF15_C7	AF15	Black Oxide	C7	6002ZZ		
AF15_C3			C3 C5	6002ZZ		
AF15_C7N		Electroless Nickel Plating	C7	6002DDU		
AF15_C3N			C3 C5	6002DDU		
AF20_C7	AF20	Black Oxide	C7	6204ZZ		
AF20_C3			C3 C5	6204ZZ		
AF20_C7N		Electroless Nickel Plating	C7	6204DDU		
AF20_C3N			C3 C5	6204DDU		

Black Oxide (Application : General case)

Electroless Nickel Plating (Application : Clean room)

(Note)

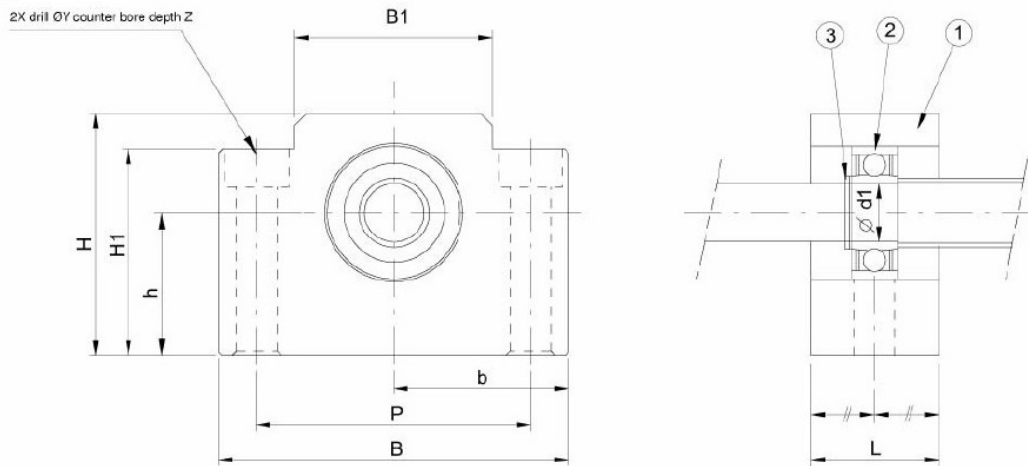
1. (It is used double pressed steel cages for Black Oxide type support units .)
2. (It is used double plastic cages for Electroless Nickel Plating type support units .)
3. (All of bearings use Japanese brand bearings.)

Support Unit AF (supported-side rectangular type)



Part No.	Part name	Qty
1	Housing	1
2	Bearing	1 set
3	Snap ring	1

AF

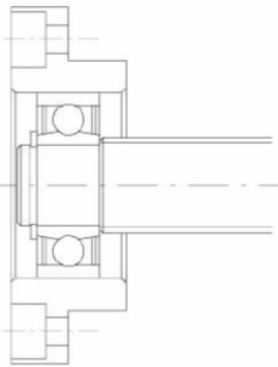
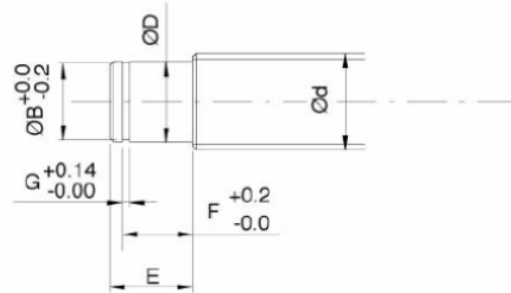


Unit : mm

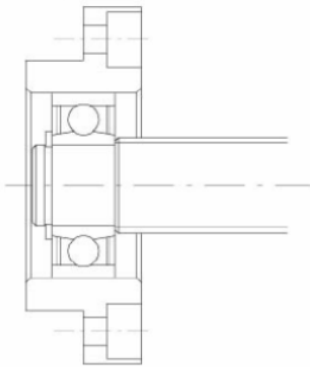
Model No.	Shaft diameter d1	L	B	H	b	h	B1	H1	P	X	Y	Z	E	Bearing	Snap ring
					±0.02	±0.02									
AF10	8	20	70	43	35	25	36	35	52	9	14	11	15	608ZZ	S 08
AF12	10	20	70	43	35	25	36	35	52	9	14	11	15	6000ZZ	S 10
AF15	15	20	80	49	40	30	41	40	60	9	14	11	15	6002ZZ	S 15
AF20	20	26	95	58	47.5	30	56	45	75	11	17	15	15	6204ZZ	S 20

FF,EF,BF,AF

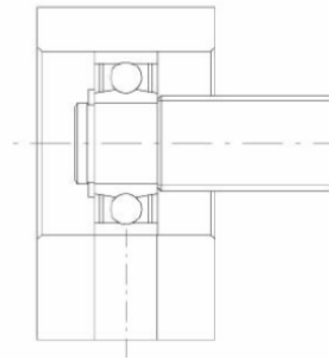
Recommended shaft end shape(Supported-side)
for Support Units types FF,EF,BF,AF



Type FF



Type EF



Type BF,AF

Support unit model No.				Ballscrew shaft OD	Shaft support portion OD					
Type FF	Type EF	Type BF	Type AF	d	D	E	B	F	G	
FF06	EF06	-	-	8	6 -0.005 -0.012	9	5.7	6.8	0.8	
-	EF08	-	-	10	6 -0.005 -0.012	9	5.7	6.8	0.8	
FF10	EF10	BF10	AF10	12/14/15	8 -0.005 -0.012	10	7.6	7.9	0.9	
FF12	EF12	BF12	AF12	14/15/16	10 -0.005 -0.012	11	9.6	9.15	1.15	
FF15	EF15	BF15	AF15	18/20	15 -0.005 -0.014	13	14.3	10.15	1.15	
FF17	-	BF17	-	20/25	17 -0.005 -0.014	16	16.2	13.15	1.15	
FF20	EF20	Note(BF20)	AF20	25/28/30	20 -0.005 -0.014	19(16)	19	15.35(13.35)	1.35	
FF25	-	BF25	-	30/32/36	25 -0.005 -0.014	20	23.9	16.35	1.35	
FF30	-	BF30	-	36/40	30 -0.005 -0.015	21	28.6	17.75	1.75	
-	-	BF35	-	40/45	35 -0.005 -0.015	22	33	18.75	1.75	
-	-	BF40	-	50	40 -0.005 -0.015	23	38	19.95	1.95	